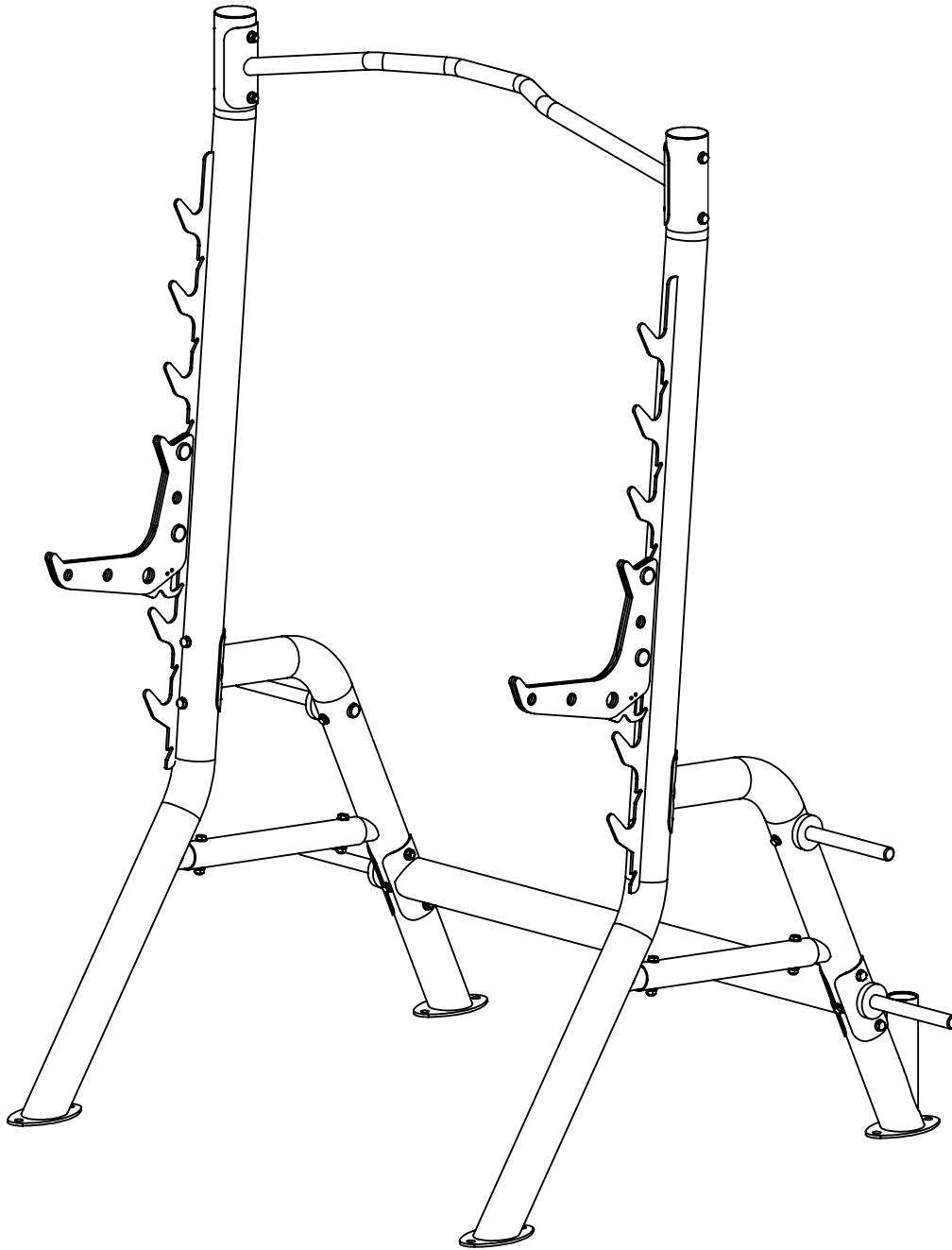




ASSEMBLY & OPERATION MANUAL



RECORD SERIAL NUMBER HERE

TABLE OF CONTENTS

Section Description.....	Page
Important Safety Instructions.....	1
Parts List.....	2
Exploded Diagram.....	3
Assembly Instructions.....	4
Decal Reference.....	9
Decal Placement.....	10
General Maintenance Information.....	11
Maintenance Schedule.....	12
Limited Warranty.....	13

IMPORTANT SAFETY INSTRUCTIONS

Please read this entire manual and familiarize yourself with all decals and warnings before using this squat rack.

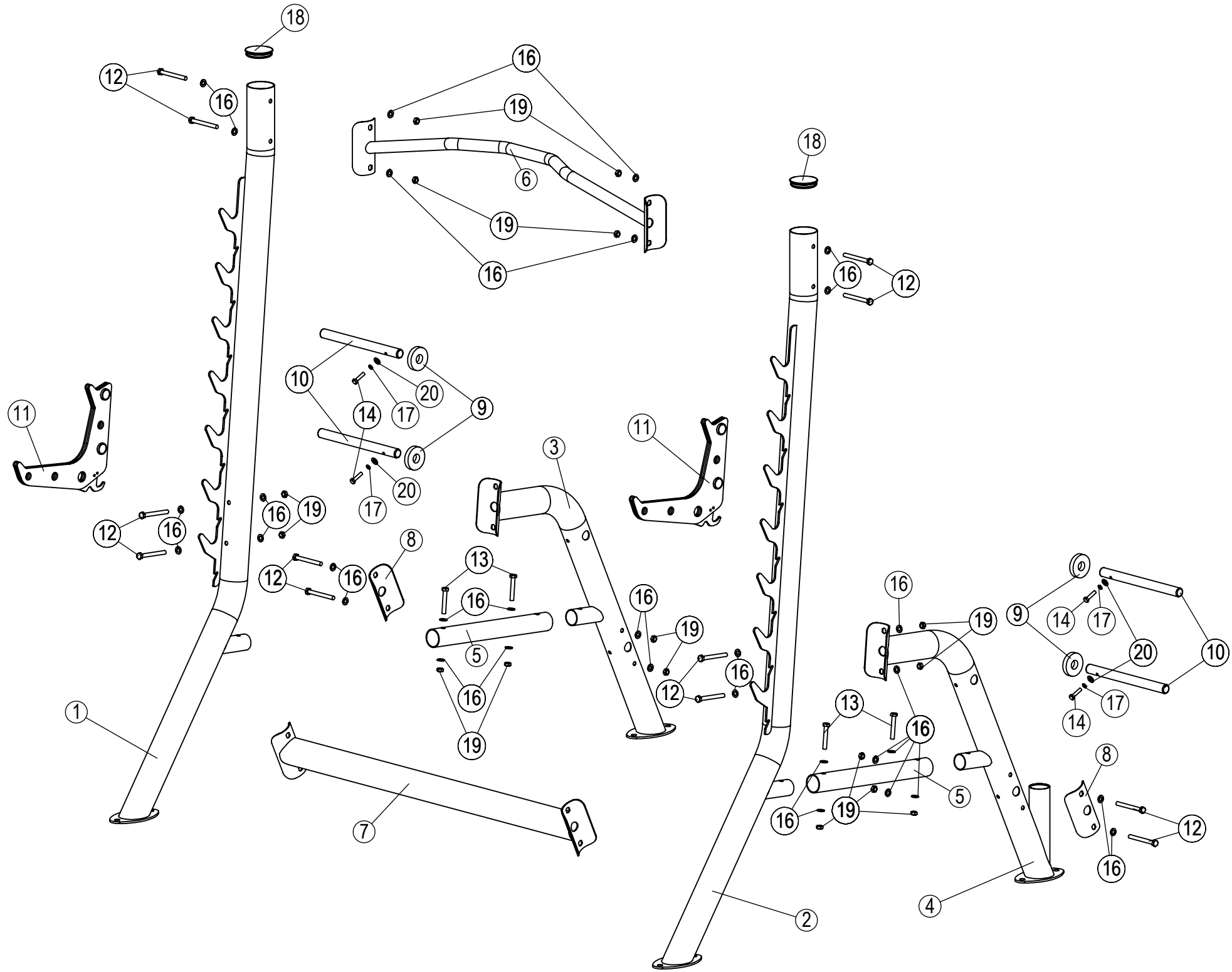
- **WARNING!** It is necessary to inspect this squat rack regularly to maintain safety and proper function. Please use the maintenance schedule included towards the back of this manual. Immediately replace any and all defective or worn parts. See General Maintenance section for complete details.
- Use this squat rack for its intended purpose as described in this Operation Manual.
- Make sure bystanders are at least 5 feet away from the squat rack while it is in use.
- Keep children away from the squat rack at all times.
- Keep the squat rack away from walls and clear of any obstructions and furniture.
- Stop immediately if you experience shortness of breath, pain, or dizziness during your workout. Inspire Fitness strongly recommends consulting your doctor before starting an exercise program.

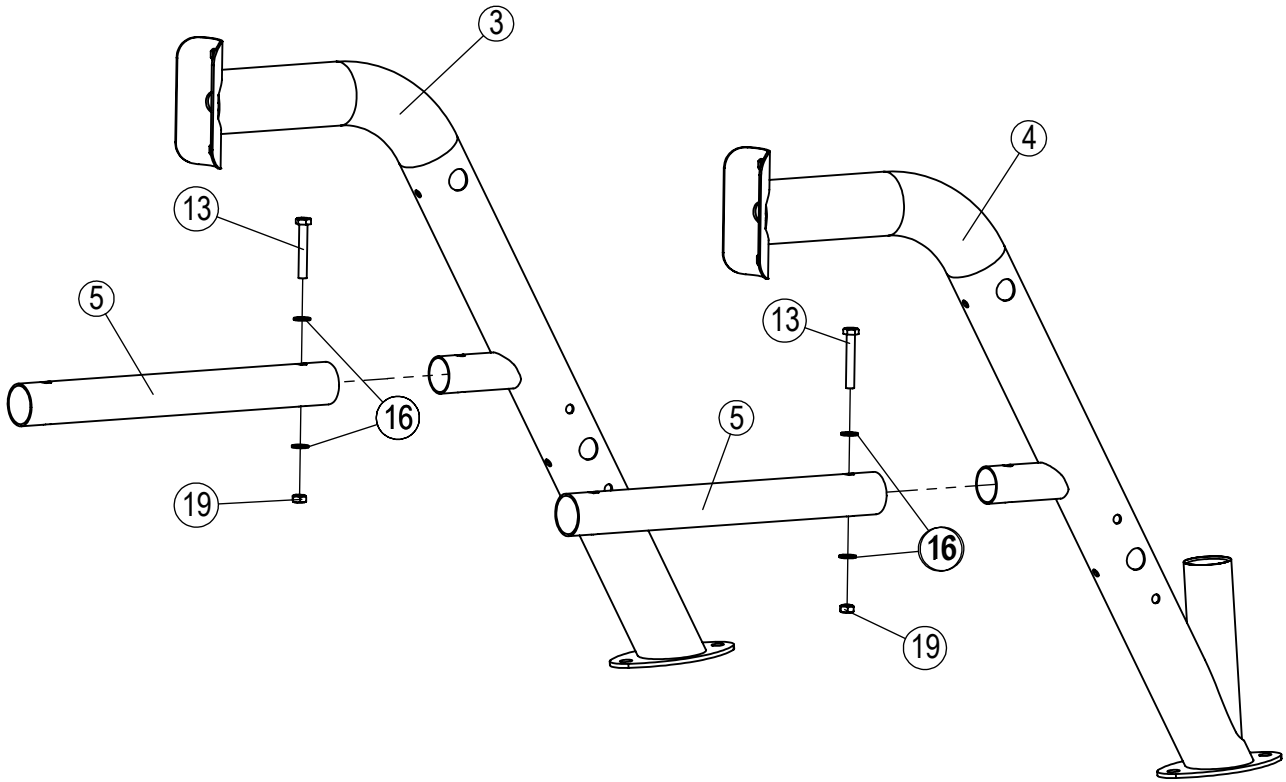
TOOLS REQUIRED FOR ASSEMBLY

- 17 mm wrench
- 13 mm wrench

PARTS & HARDWARE LIST

Item #	Description	Part Number	Quantity
1	Main Upright Tube Assembly R	GM578-220-001PZ	1
2	Main Upright Tube Assembly L	GM578-230-001PZ	1
3	Support Tube Assembly R	GM578-260-001	1
4	Support Tube Assembly L	GM578-270-001	1
5	Connection Tube	GM578-381-004	1
6	Pull Up Bar	GM578-380-003	1
7	Rear Connection Tube Assembly	GM578-380-001	1
8	Curved Plate	GM578-382-001	2
9	Rubber Cover	GM509-881-001	4
10	Weight Plate Horn	GM578-381-001	4
11	Spotter Assembly	GM578-380-002PZ	2
-	Hardware Pack	GM578-891-101PZ	1
12	Hex Bolt M10x95	0111-010-958A	-
13	Hex Bolt M10x65	0111-010-658	-
14	Hex Bolt M8x40	0111-008-358	-
16	Curved Washer ϕ 10	0116-610-008	-
17	Spring Washer ϕ 8	0116-308-028	-
18	End Cap	GM578-881-003	-
19	Lock Nut ϕ 10	0110-710-008	-
20	Curved Washer M8	0116-608-008	-

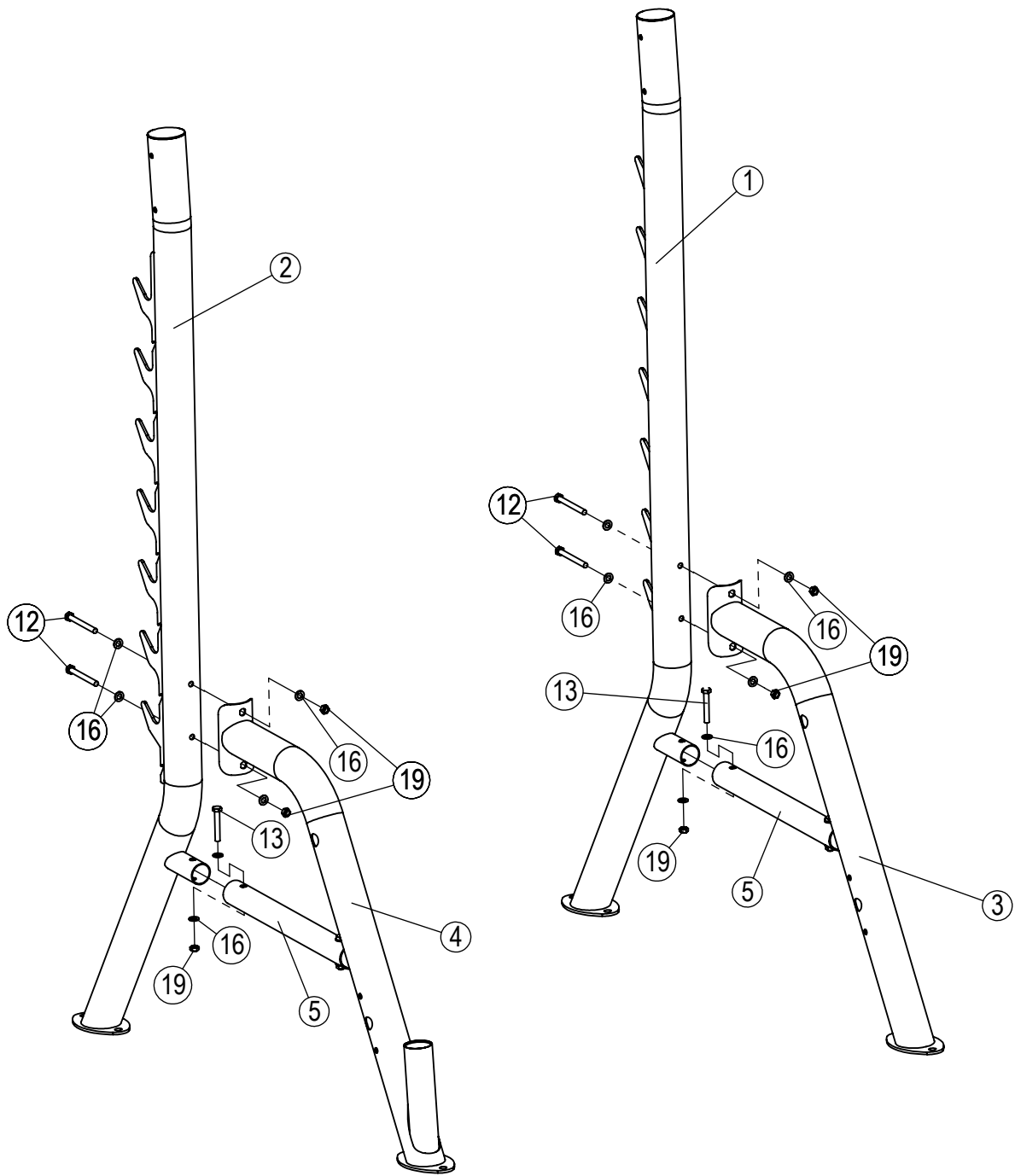




Step 1

- A Attach the Connection Tube (5) to the Support Tube Assembly R (3) using 1- Hex Bolt M10x65 (13), 2- Curved Washers (16), and 1- Lock Nut M10 (19).
- B Attach the Connection Tube (5) to the Support Tube Assembly L (4) using 1- Hex Bolt M10x65 (13), 2- Curved Washers (16), and 1- Lock Nut M10 (19).

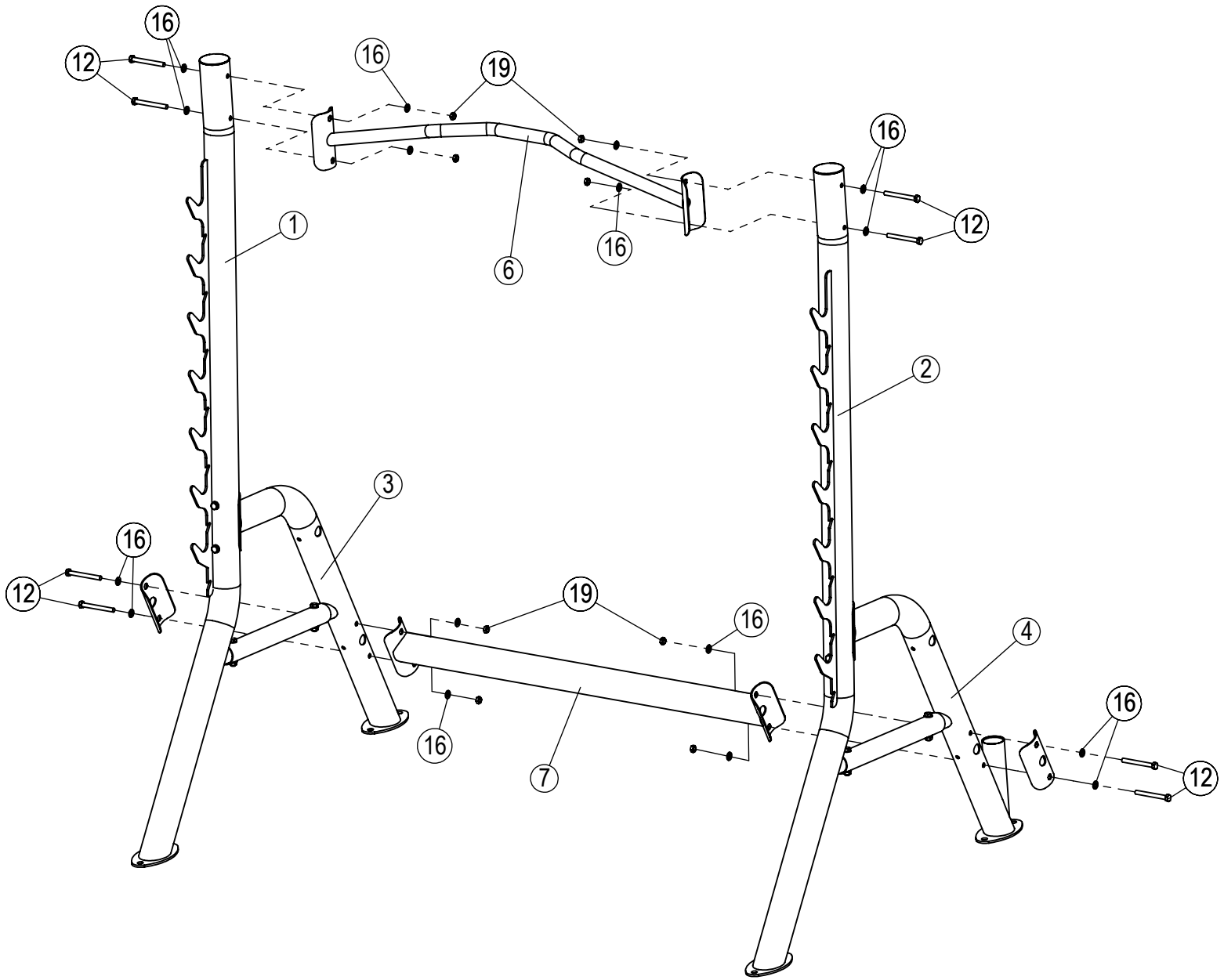
HAND TIGHTEN ONLY.



Step 2

- A Attach the Support Tube Assembly L (4) to the Main Upright Tube Assembly L (2) using 2- Hex Bolts M10x95 (12), 4- Curved Washers (16), and 2- Lock Nuts M10 (19)
- B Attach the Connetion Tube (5) to the Main Upright Tube Assembly L (2) using 1- Hex Bolt M10x65 (13), 2- Curved Washers (16), and 1- Lock Nut M10 (19)
- C Attach the Support Tube Assembly R (3) to the Main Upright Tube Assembly R (1) using 2- Hex Bolts M10x95 (12), 4- Curved Washers (16), and 2- Lock Nuts M10 (19)
- D Attach the Connetion Tube (5) to the Main Upright Tube Assembly R (1) using 1- Hex Bolt M10x65 (13), 2- Curved Washers (16), and 1- Lock Nut M10 (19)

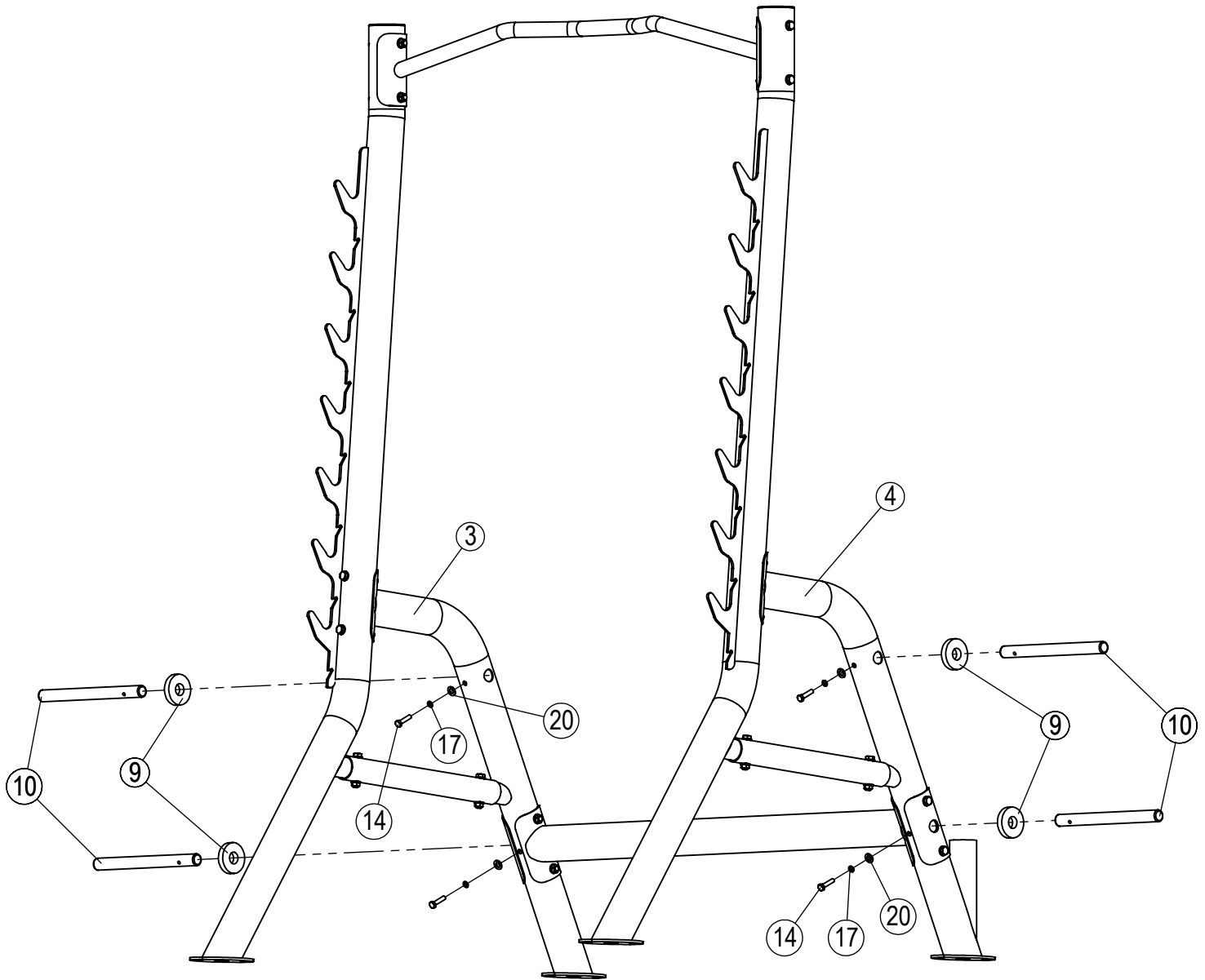
HAND TIGHTEN ONLY.



Step 3

- A Attach the Rear Connection Tube Assembly (7) to the Support Tube Assembly L (4) using 2- Hex Bolts M10x95 (12), 4- Curved Washers (16) and 2- Lock Nuts M10 (19).
- B Attach the Rear Connection Tube Assembly (7) to the Support Tube Assembly R (3) using 2- Hex Bolts M10x95 (12), 4- Curved Washers (16) and 2- Lock Nuts M10 (19).
- C Attach the Pull Up Bar (6) to the Main Upright Tube Assembly R (1) using 2- Hex Bolts M10x95 (12), 4- Curved Washers (16) and 2- Lock Nuts M10 (19).
- D Attach the Pull Up Bar (6) to the Main Upright Tube Assembly L (2) using 2- Hex Bolts M10x95 (12), 4- Curved Washers (16) and 2- Lock Nuts M10 (19).

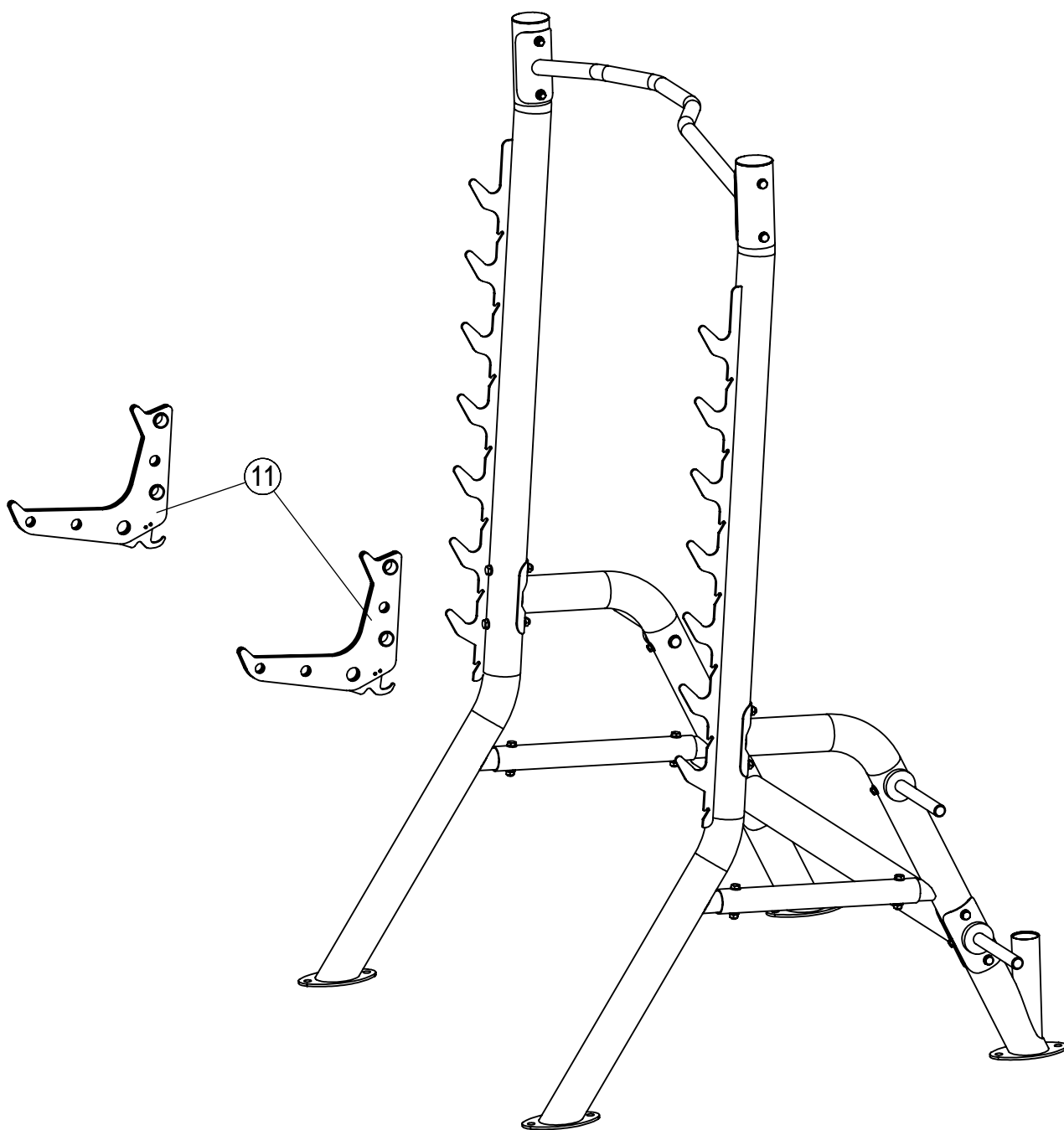
HAND TIGHTEN ONLY.



Step 4

- A Attach the Weight Plate Horn (10) to the Support Tube Assembly L (4) using 1- Hex Bolt M8x40 (14), 1- Spring Washer M8 (17), and 1- Curved Washer M8 (20).
- B Fit the Rubber Bumper (9) through the Weight Plate Horn (10) so that it is up against the Support Tube Assembly L (4).
- C Attach the Weight Plate Horn (10) to the Support Tube Assembly R (3) using 1- Hex Bolt M8x40 (14), 1- Spring Washer M8 (17), and 1- Curved Washer M8 (20).
- D Fit the Rubber Bumper (9) through the Weight Plate Horn (10) so that it is up against the Support Tube Assembly R (3).

Tighten All Bolts from Steps 1 to 4.



Step 5

- A Add the Spotter Assembly (11) onto the Squat Rack at the position most comfortable for use.

DECAL REFERENCE

NOTICE				
<i>This INSPIRE product is not intended for commercial use.</i>				
IN HOME MAINTENANCE	Weekly	3 Months	Yearly	2 Years
Inspect; Links, Pull Pins, Snap Locks, Swivels, Weight Stack Pins	X			
Clean; Upholstery	X			
Inspect; Cables and their fittings	X			
Inspect tightness of all shrouds	X			
Inspect; Accessory Bars and Handles		X		
Inspect; All Decals		X		
Inspect; All nuts and Bolts Tighten if Needed.		X		
Inspect; Anti-Skid Surfaces		X		
Clean & Lubricate; Guide Rods with a Teflon(PTFE) based lubricant (Superlube)		X		
Lubricate; Seat Sleeves and all plastic slides		X		
Clean & Wax; All Glossy Finishes			X	
Replace; Cables, Belts and Connectin Parts.				X



INSPIRE™
 BY HEALTH IN MOTION LLC
 877-738-1729
www.inspirefitness.com
 Serial # 4 - 09 - 06 - 00001

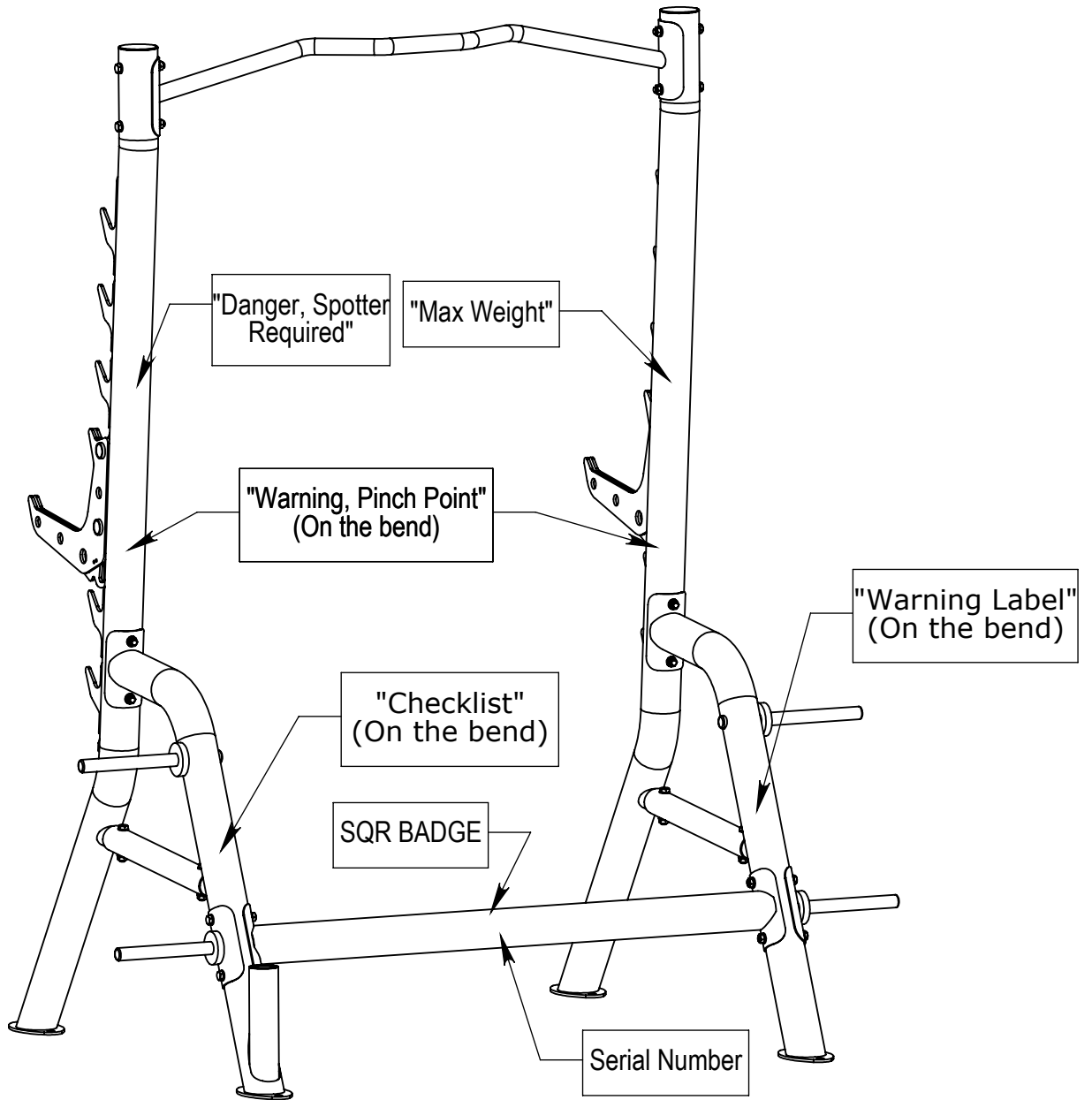


WARNING

USE ONLY GENUINE INSPIRE REPLACEMENT PARTS. FAILURE TO DO SO WILL VOID WARRANTY AND COULD RESULT IN SERIOUS INJURY. THERE IS A RISK ASSUMED BY INDIVIDUALS WHO USE THIS TYPE OF EQUIPMENT. TO MINIMIZE THE RISK, ALWAYS FOLLOW THESE RULES.

1. READ & UNDERSTAND ALL ENCLOSED INSTRUCTIONS BEFORE USING THIS EQUIPMENT.
2. INSPECT EQUIPMENT BEFORE EACH USE. Replace parts that show any wear or damage. If in doubt about a certain part, DO NOT use the equipment until the part is replaced. Failure to replace worn or damaged parts may result in injury.
3. FOLLOW MAINTENANCE SCHEDULE on the "NOTICE" sticker.
4. CONSULT YOUR PHYSICIAN BEFORE STARTING ANY EXERCISE PROGRAM. Warm up properly before exercising. Stop exercising if you feel faint or dizzy.
5. TO PREVENT THE POSSIBILITY OF SERIOUS INJURY, KEEP CLEAR OF ALL MOVING PARTS. DO NOT ATTEMPT TO FREE ANY JAMMED PART BY YOURSELF. Obtain assistance in order to avoid possible injury.
6. Take your time and do not rush exercise. Practice proper breathing. NEVER hold your breath.
7. CHILDREN SHOULD NOT BE ALLOWED TO USE THIS EQUIPMENT. To avoid possible injury, children should be kept at a safe distance when this equipment is in use. Teenagers should not use this equipment without adult supervision.
8. CALL YOUR AUTHORIZED INSPIRE DISTRIBUTOR if you have any questions on the proper use or maintenance of this equipment.
9. Make sure all Pull Pins, Locks, and Safety Latches are in place and fully engaged before each use.

DECAL PLACEMENT



GENERAL MAINTENANCE INFORMATION

- Regularly inspect product for loose hardware.
- Do not use or store equipment outdoors.
- Locate and familiarize yourself with all warning decals on the squat rack
- Replace damaged or worn upholstery immediately.

MAINTENANCE SCHEDULE

ROUTINE	HOME MAINTENANCE	ENTRY DATE								
Inspect: Links, Pull Pins, Spring Clips, Swivels, Weight Stack Pins	WEEKLY									
Inspect: Accessory Bars and Handles	3 MONTHS									
Inspect: All Decals	3 MONTHS									
Inspect: All Nuts and Bolts. Tighten if Needed	3 MONTHS									
Inspect: Anti-Skid surfaces	3 MONTHS									
Clean and Wax: All Glossy Finishes	YEARLY									

INSPIRE

Warranty.

This Warranty applies to Inspire Strength products manufactured or distributed by Health In Motion LLC.

CONSUMER USE:

LIMITED LIFETIME FRAME:

Includes Frame and Welds

LIMITED LIFETIME PARTS:

Includes Upholstery, Hardware, etc.

LIMITED LIFETIME MOVING PARTS:

Includes Pulleys, Cables, etc.

LIGHT-COMMERCIAL USE:

LIMITED LIFETIME FRAME:

Includes Frame and Welds

10 YEAR PARTS:

Includes Upholstery, Hardware, etc.

10 YEAR MOVING PARTS:

Includes Pulleys, Cables, etc.

PLEASE NOTE THAT NOT ALL INSPIRE PRODUCTS ARE MADE FOR LIGHT-COMMERCIAL USE

Refer to your Owner's Manual or consult with your fitness product dealer to establish if a Product is made for light-commercial use or not. Using a non-commercial product in a commercial setting can result in serious injury or death!

Health In Motion warrants that the Product you have purchased for light-commercial, personal, family or household use from Health In Motion LLC or from an authorized Health In Motion reseller is free from defects in materials or workmanship under normal use during the warranty period. Your sales receipt, showing the date of purchase of the Product, is your proof of the date of purchase. This warranty extends only to you, the original purchaser. It is not transferable to anyone who subsequently purchases the Product from you. It excludes expendable parts such as paint and finish. This Warranty becomes VALID ONLY if the Product is assembled / installed according to the instructions / directions included with the Product.

Replacement and repair of parts.

During the warranty period Health In Motion will, at no additional charge, repair or replace the Product if it becomes defective, malfunctions, or otherwise fails to conform with this Warranty under normal light-commercial, personal, family, or household use. In repairing the product Health In Motion may replace defective parts with, at the option of Health In Motion, serviceable used parts that are equivalent to new parts in performance, or new parts. All exchanged parts and Products replaced under this warranty will become the property of Health In Motion. Health In Motion reserves the right to change manufacturers and or specification of any part to cover any existing warranty.

Service procedures.

To obtain warranty parts, you must return the parts to Health In Motion or an authorized Health In Motion retailer in its original container (or equivalent). You must pre-pay any shipping charges, taxes, or any other charges associated with transportation of the Product. In addition, you are responsible for insuring any Product shipped or returned. You assume the risk of loss during shipment. You must present Health In Motion with proof-of-purchase documents (including the date of purchase, Model, and Serial Number). Any evidence of alteration, erasing or forgery of proof-of-purchase documents will be cause to void this Warranty. Register your warranty online visit www.inspirefitness.com

Conditions and Exceptions.

This Warranty does not extend to any Product not purchased from Health In Motion LLC or from an authorized Health In Motion reseller. This Warranty does not extend to any Product that has been damaged or rendered defective; (a) as a result of accident, misuse, or abuse; (b) by the use of parts not manufactured or sold by Health In Motion; (c) by modification of the Product; (d) as a result of service by anyone other than Health In Motion, or an authorized Health In Motion warranty service provider; (e) product that has not been properly maintained (follow maintenance schedule found on product). Should any product submitted for Warranty service be found to be ineligible, an estimate of repair cost will be furnished and the repair will be made if requested by you upon Health In Motion receipt of payment or acceptable arrangement of payment.

Disclaimer

EXCEPT AS EXPRESSLY SET FORTH IN THIS WARRANTY HEALTH IN MOTION MAKES NO OTHER WARRANTIES; EXPRESSED OR IMPLIED INCLUDING ANY IMPLIED WARRANTIES OF MERCHANTABILITY AND FITNESS FOR A PARTICULAR PURPOSE. HEALTH IN MOTION EXPRESSLY DISCLAIMS ALL WARRANTIES NOT STATED IN THIS WARRANTY. ANY IMPLIED WARRANTIES THAT MAY BE IMPOSED BY LAW ARE LIMITED TO THE TERMS OF THIS WARRANTY. NEITHER HEALTH IN MOTION NOR ANY OF ITS AFFILIATES SHALL BE RESPONSIBLE FOR INCIDENTAL OR CONSEQUENTIAL DAMAGES. HEALTH IN MOTION IS NOT RESPONSIBLE FOR THE REPAIR OR REPLACEMENT OF ANY PARTS THAT HEALTH IN MOTION DETERMINES HAVE BEEN SUBJECTED AFTER THE DATE OF MANUFACTURE TO ALTERATION, NEGLIGENCE, ABUSE, MISUSE, NORMAL WEAR & TEAR, ACCIDENT, DAMAGE DURING TRANSIT OR INSTALLATION, FIRE, FLOOD, OR ANY ACT OF GOD. SOME STATES DO NOT ALLOW LIMITATIONS ON HOW LONG AN IMPLIED WARRANTY LASTS OR THE EXCLUSION OR LIMITATION OF INCIDENTAL OR CONSEQUENTIAL DAMAGES, SO THE ABOVE LIMITATIONS OR EXCLUSION MAY NOT APPLY TO YOU. This Warranty gives you specific legal rights and you may also have other rights that may vary from state to state. This is the only express warranty applicable to Health In Motion's "Inspire" branded strength products. Health In Motion neither assumes nor authorizes anyone to assume for it any other express warranty.